

Ordering information

HOM2 - 20 - B1 K4 - a B1 - R

- Optional function: Blank-no optional function, R-overtorque protection, J-counter, F-breather valve...
- Color: B1-RAL9004, S1-RAL5015, L-RAL7035...
- Voltage: a-AC220V, b-AC380V, c-DC24V, d-AC24V, e-AC110V...
- Feedback: K4-active+passive, K5-passive+potentiometer, K9-analog feedback...
- Control: B1-on off; B2-modulating; SF1-Noninvasive on off; SF2- Noninvasive modulating
- Torque: 20-torque:200NM; ... 800-torque8000NM
- Model: HOM1, HOM2, HOM3, HOM4, HOM4JS

HELI 合力®

HELI®

WENZHOU HELI AUTOMATIC METER CO.,LTD.

Address: No. 12-20, Xujiang North Road, Zhongfang Intelligent Zone, Beibaixiang Town, Yueqing City, Zhejiang Province, China.

Tel: +86-577-62927688 62929666 62925511

Fax: +86-577-62927699

P.C: 325603

Email: heli@cnheli.com

Hotline ☎ 400-826-7555

www.cnheli.com

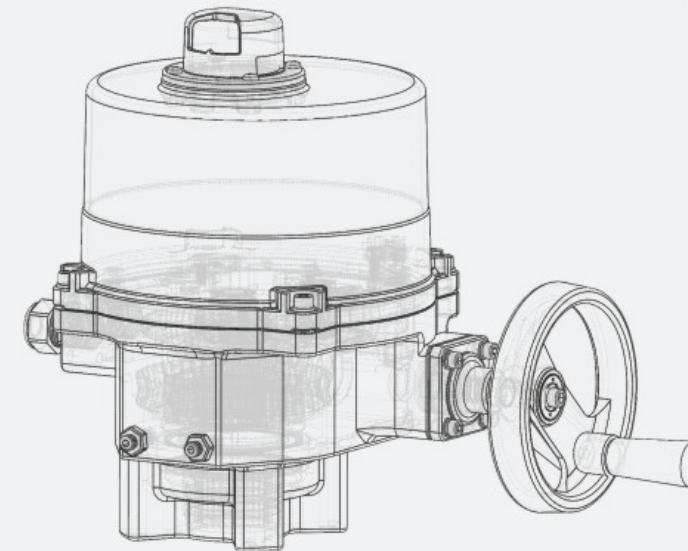
www.cnheli.en.alibaba.com

HELI-HOM-2023.11 CN/1.3 ©All rights reserved by HELI AUTOMATIC



QUARTER TURN ACTUATOR

HOM SERIES HOM SERIES ELECTRIC ACTUATOR ELECTRIC ACTUATOR



HOM SERIES ELECTRIC ACTUATOR

Product Overview

HOM series Quarter turn electric actuator adopts planetary gear for mechanical transmission, The output torque is from 25-8000Nm. the manual operating mechanism is clutch-free, The manual override can be operated without clutch and brake. Products can match to butterfly valves, ball valves, plug valves, etc. Widely used in power plants/metallurgical plants/ sewage. Processing plant/building automation/urban pipe network and other pipeline systems. High-Output torque. with self-locking, ISO5211 standard flange connection.

Product Feature

- Torque:25Nm-8000Nm
- Can adapt to butterfly valves, ball valves, plug valves and other valves
- Self-locking planetary transmission mechanism
- Integrated ISO5211 standard connecting flange
- 3D opening indicator
- Clutch-free handwheel
- IP67,IP68 protection
- Moisture-proof heater to prevent condensation
- Optional over-torque protection to prevent damage to valve body

Company Profile

Established in 2003Y, Wenzhou Heli Automatic Meter Co.,Ltd. is a high-tech enterprise special in developing and manufacturing control valve, electric actuator,pneumatic actuator,damper actuator,electric valve,pneumatic valve. Our products are widely used in Oil&Gas, HVAC, Marine, Mining, Pulp& Paper, Food&Beverage, Power, Water& wastewater, Pharmaceutical and Chemical industries around the world..Products have obtained a series of certificates from DNV, EAC, CE, ROHS, SIL, ATEX, CNEX, 3C, IP67, IP68.

We insist on " Quality-driven, Technical innovator, Honest service" , providing the best valve &actuator solutions.

HOM

SERIES

ELECTRIC ACTUATOR

Heli Automatic Meter
Focus on R & D and manufacturing of valve actuators



Basic Specification

Voltage	AC 24V/220V/230V/380...(±10%) DC24...(±10%)
Frequency	50/60 Hz(±5%)
Torque	25Nm-8000Nm
Angle	90°
Travel switch	2×SPDT , 250VAC 5A
Assistant switch	2×SPDT , 250VAC 5A
Cable gland	< 100Nm : 2-M20*1.5, ≥100Nm:2×PG16
On-off type	Feedback dry contact Feedback dry contact+wet contact
Modulating type	Input signal 4-20mA(factory setting)/2-10V/0-10V optional Output signal 4-20mA(factory setting)/2-10V/0-10V optional
Flange	ISO5211 Standard
Position indicator	3D dome indicator ,optional pointer indicate
Manual Override	Handwheel
Protection class	IP,67,IP68 as optional
Ambient temperature	-25°C~70°C
Over torque protection	Optional
Anti-condensation	Heater
Overheat protection	Built-in motor thermal protection. Temp. 125°C±5°C
Power failure state	The last position
Signal failure state	4-20mA/2-10V : can set full open or full close(factory setting is position protection) 0-10V : full close

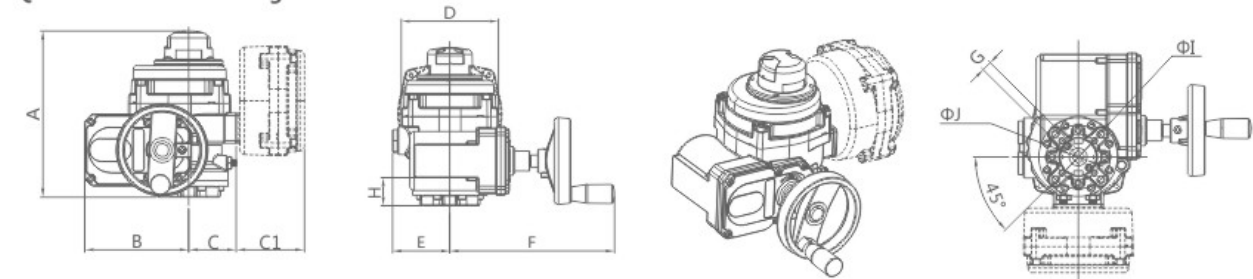
General Specification

Model	Max torque (Nm)	Time (s/90°)	Rated current(A)		Flange (ISO5211)
			AC220V	AC380V	
HEQ1-05	50	20	0.25	0.11	F05/F07
HEQ1-08	80	30	0.25	0.11	F05/F07
HOM2-10	100	19	0.42	0.32	F07/F10
HOM2-20	200	39	0.42	0.32	F07/F10
HOM2-30	300	39	0.46	0.35	F07/F10
HOM3-40	400	29	0.9	0.62	F10/F12
HOM3-60	600	39	0.9	0.62	F10/F12
HOM3-80	800	47	0.9	0.62	F10/F12
HOM3-100	1000	47	1.1	0.8	F10/F12
HOM3-130	1300	47	1.3	0.92	F10/F12
HOM4-170	1700	34	2.2	1.1	F12/F16 or F14
HOM4-200	2000	34	2.5	1.3	F12/F16 or F14
HOM4-230	2300	47	2.2	1.1	F12/F16 or F14
HOM4JS-350	3500	76	2.2	1.1	F16/F25
HOM4JS-500	5000	136	2.2	1.1	F16/F25
HOM4JS-800	8000	188	2.2	1.1	F16/F25

Note:The rated torque of the above products is 0.75 times of the MAX output torque.

Product Dimension

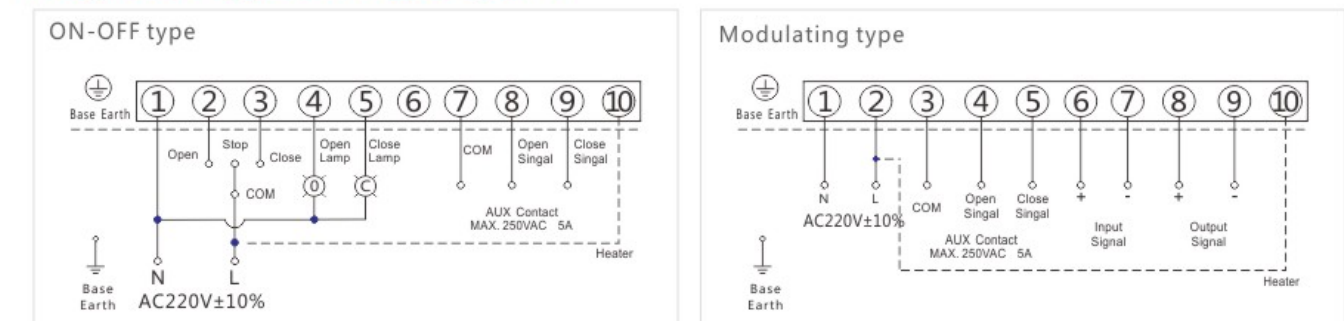
HEQ1 Dimension Drawing



Note: The dotted lines are expand unit that only for modulating type,on off type don't have it.

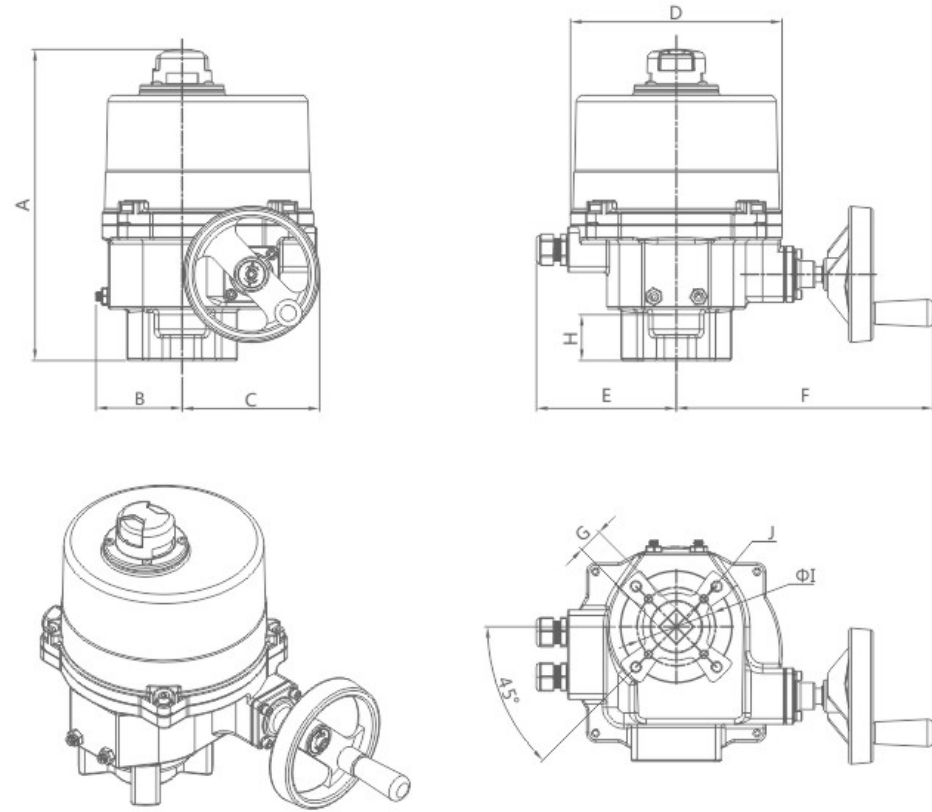
Model	A	B	C	C1	D	E	F	G	H	ΦI	J
HEQ1-05 On-off type	182	114	52	/	140	94	190	11×11	30	50	4-M6
HEQ1-08 Modulating type	182	114	52	75	140	94	190	14×14		70	4-M8

HEQ Basic Type Wiring Diagram



Product Dimension

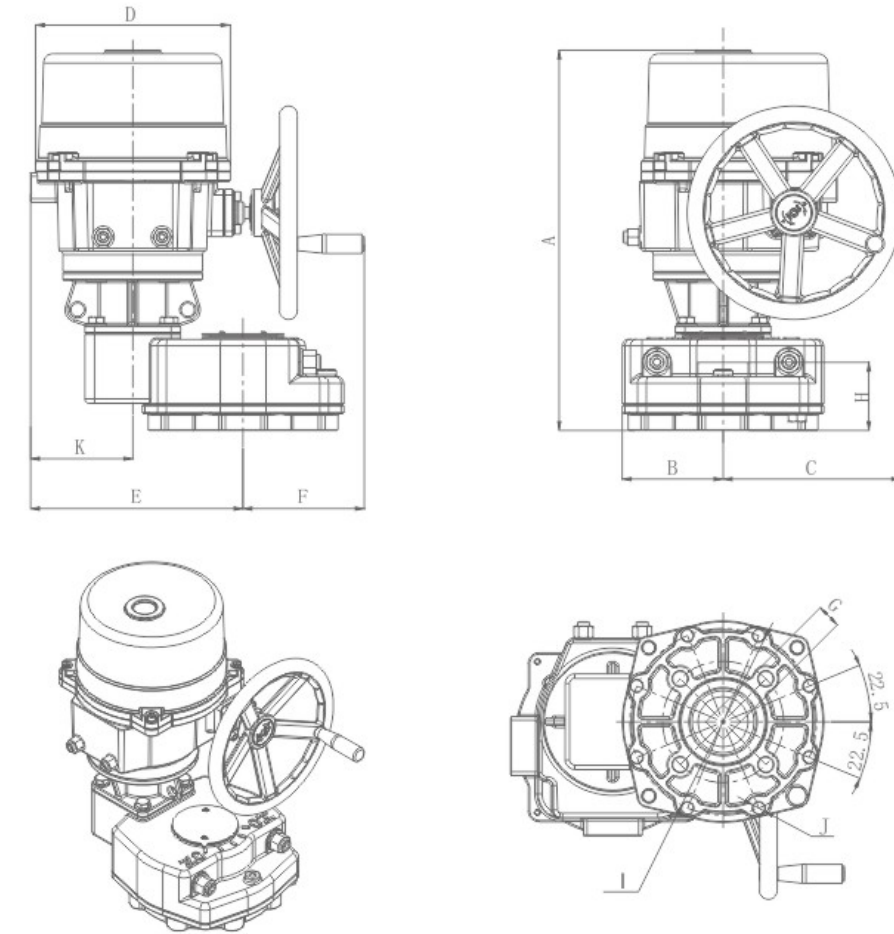
HOM2-4 Basic type



Model	A	B	C	D	E	F	G	H	ØI	J
HOM2-10	278	78	125	189	125	232		35		
HOM2-20	278	78	125	189	125	232	14×14	35	70	4-M8
HOM2-30	278	78	125	189	125	232	17×17	35	102	
HOM3-40	340	105	190	232	158	290		55		
HOM3-60	340	105	190	232	158	290		55	102	4-M10
HOM3-80	340	105	190	232	158	290	22×22	55	125	4-M12
HOM3-100	340	105	190	232	158	290	27×27	55	140	4-M16
HOM3-130	340	105	190	232	158	290		55		
HOM4-170	390	129	245	265	165	325		65		
HOM4-200	390	129	245	265	165	325	27×27	65	125	4-M12
HOM4-230	390	129	245	265	165	325	36×36	65	140	4-M16

Product Dimension

HOM4JS Basic type

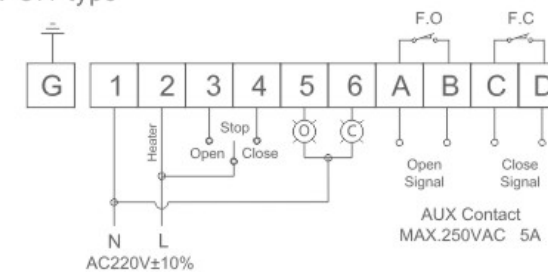


Model	A	B	C	D	E	F	G	H	ØI	J	K
HOM4JS-350	517	137	242	265	289	165	36×36	130	165	4-M20	139
HOM4JS-500	517	137	242	265	289	165	46×46	130	254	8-M16	139
HOM4JS-800	517	137	242	265	289	165		130			139

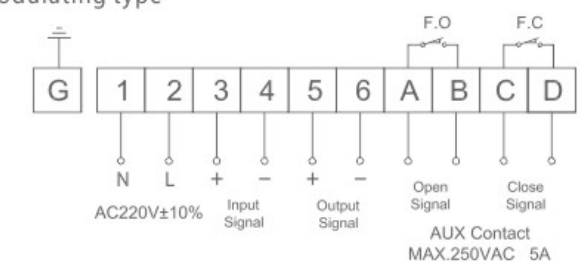
Note:1.Size unit:mm,
2.The valve shaft size can be customized,
3.If you need special flange,pls contact us.

HOM Basic Type Wiring Diagram

ON-OFF type

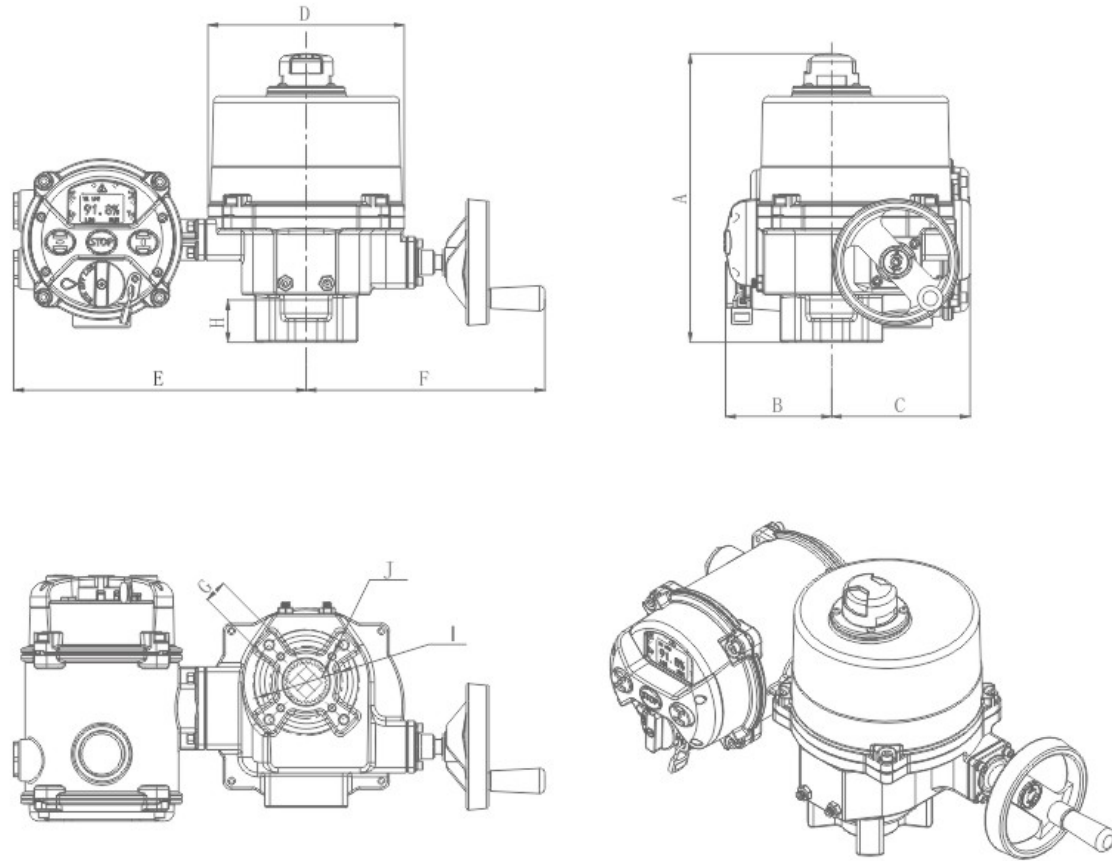


Modulating type



Product Dimension

HOM2-4 Intelligent Type



Model	A	B	C	D	E	F	G	H	ØI	J
HOM2-10	278	102	133	189	281	230		35		
HOM2-20	278	102	133	189	281	230	14×14	35	70	4-M8
HOM2-30	278	102	133	189	281	230	17×17	35	102	
HOM3-40	337	108	186	232	304	290		55		
HOM3-60	337	108	186	232	304	290		55	102	4-M10
HOM3-80	337	108	186	232	304	290	22×22	55	125	4-M12
HOM3-100	337	108	186	232	304	290	27×27	55	140	4-M16
HOM3-130	337	108	186	232	304	290		55		
HOM4-170	388	136	241	265	323	325		65		
HOM4-200	388	136	241	265	323	325	27×27	65	125	4-M12
HOM4-230	388	136	241	265	323	325	36×36	65	140	4-M16



HOM

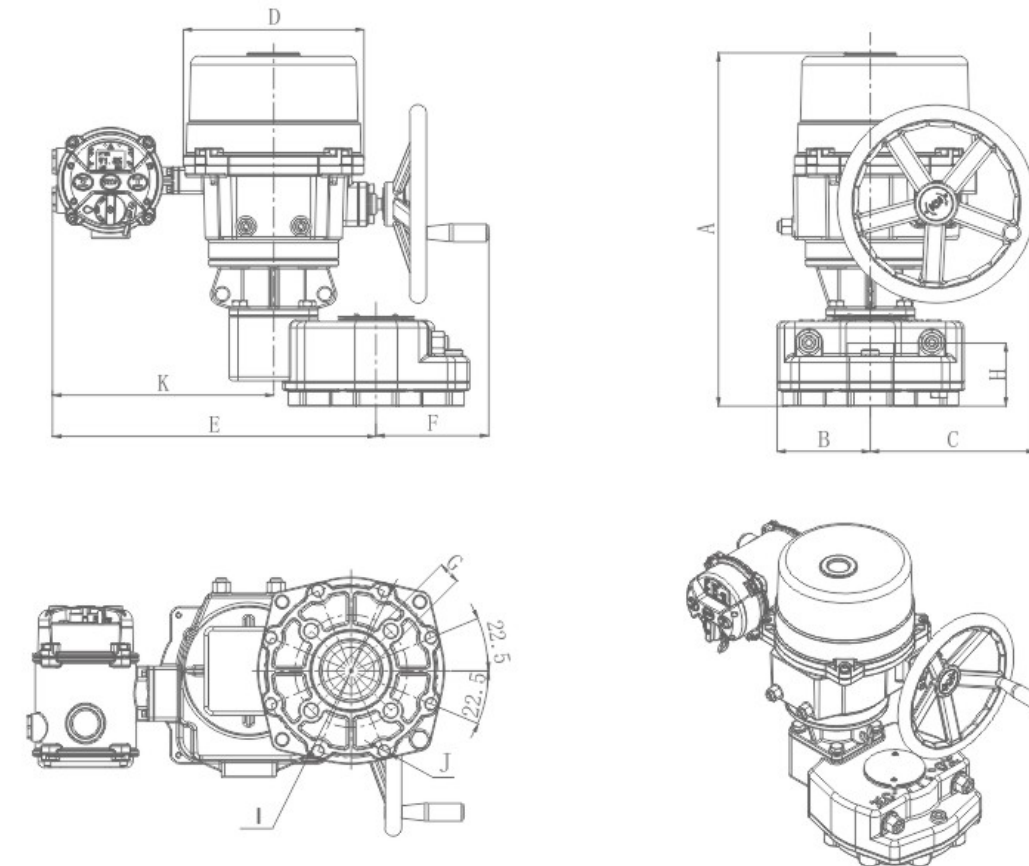
SERIES

ELECTRIC ACTUATOR

Heli Automatic Meter
Focus on R & D and manufacturing of valve actuators

Product Dimension

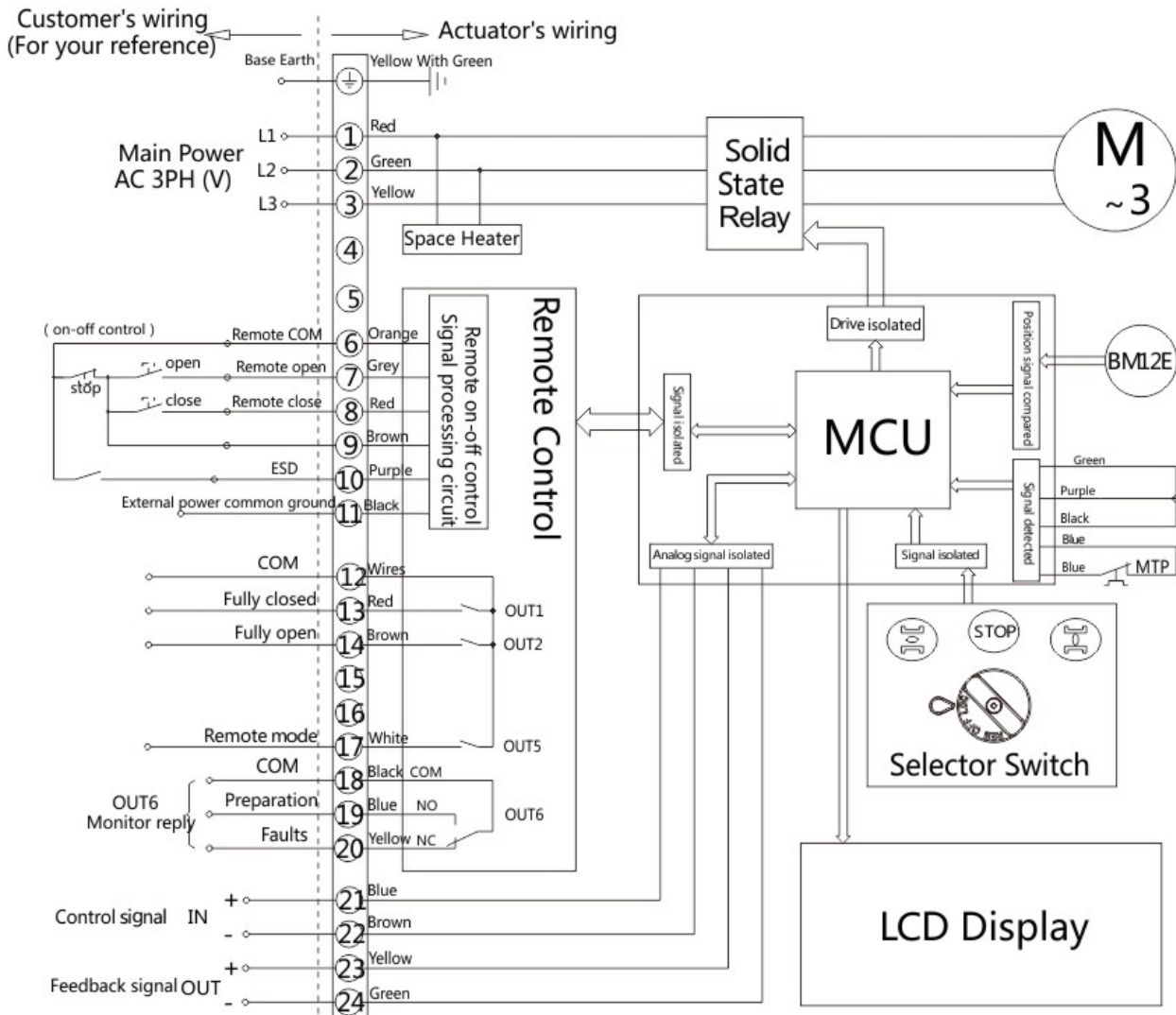
HOM4JS Intelligent Type



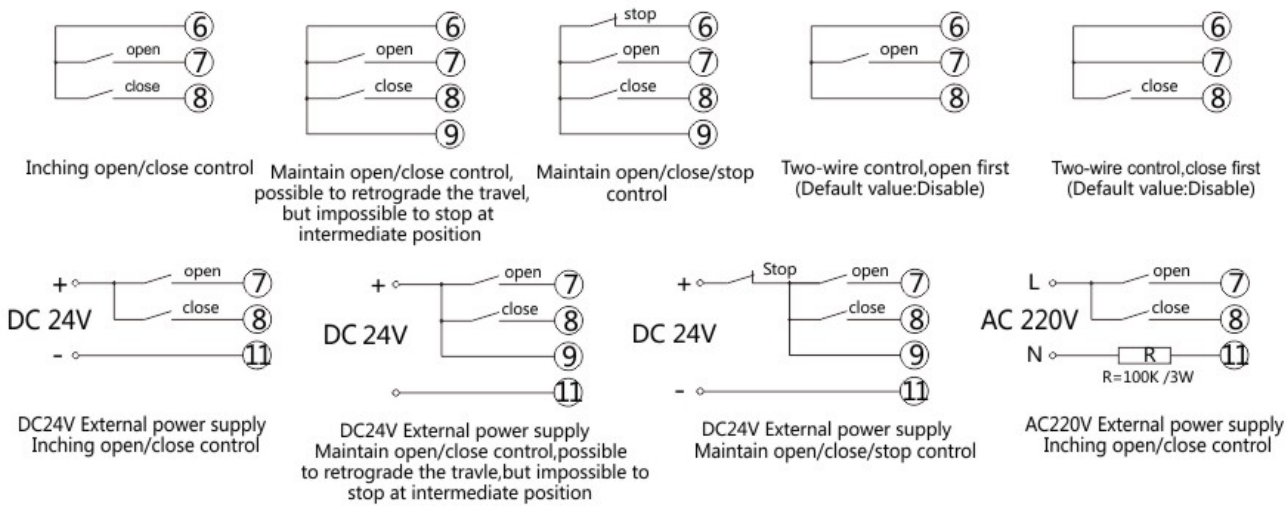
Model	A	B	C	D	E	F	G	H	ØI	J	K
HOM4JS-350	517	137	242	265	473	165		130			323
HOM4JS-500	517	137	242	265	473	165	36×36	130	165	4-M20	323
HOM4JS-800	517	137	242	265	473	165	46×46	130	254	8-M16	323

Wiring Diagram

HOM Wiring Drawing Of Intelligent SF type (3PH,AC380V/415V/440V)

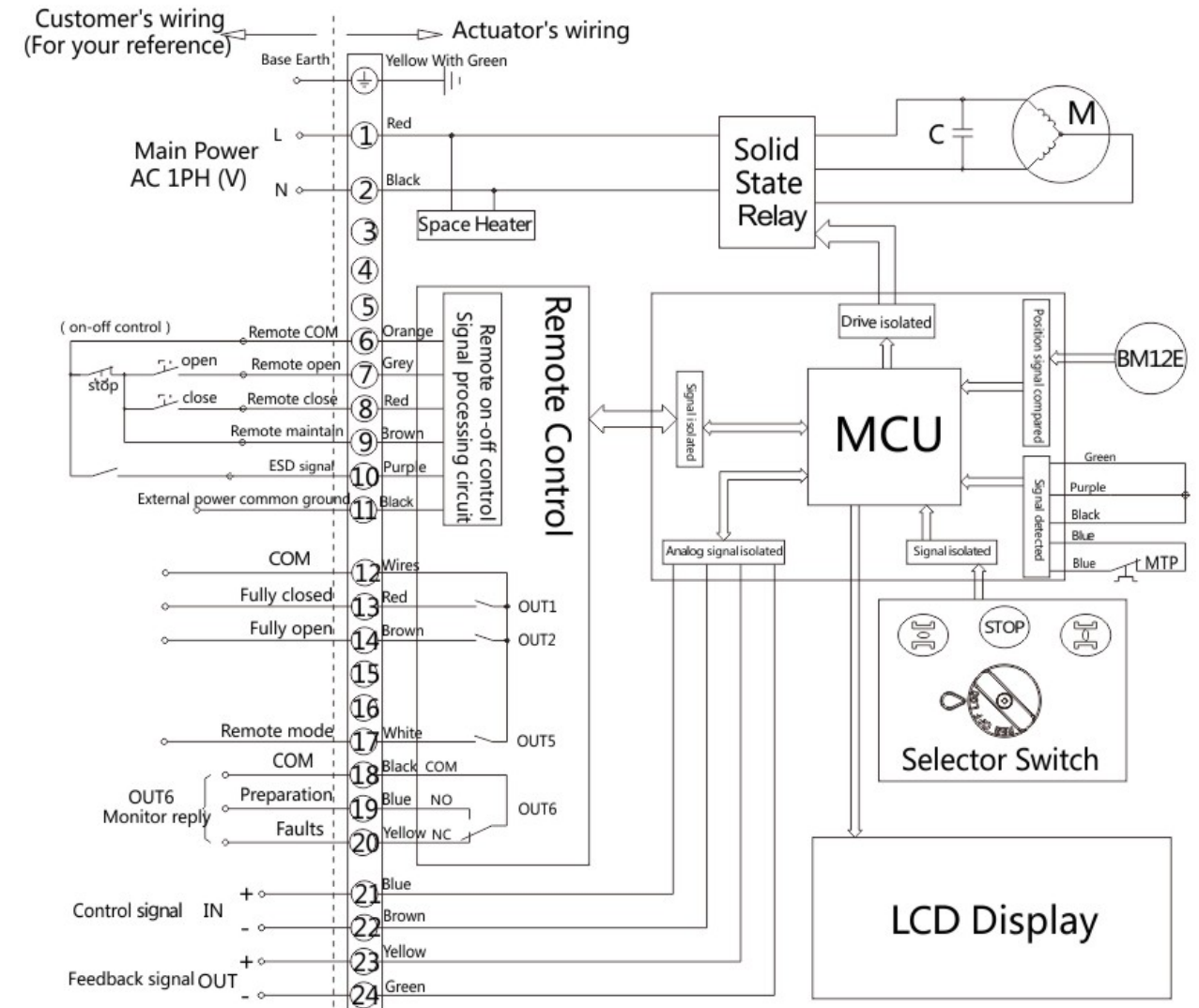


Remote on-off (Manual) control



Wiring Diagram

HOM Wiring Drawing Of Intelligent SF type (1PH,AC220V/110V)



Remote on-off (Manual) control

