

Ordering Information

HEQ1 - 05 - B1K4 - E0 - aB1 (F-F07M17)

Stem 17×17

Flange F07

Anti-condensation Vent plug

Power supply AC220V 1PH, Color: RAL9004

Weather proof

Basic type with On-Off control

Torque 50N.m(number x 10N.m)

Item: HEQ1

HELI®

WENZHOU HELI AUTOMATIC METER CO.,LTD.

Address: No. 12-20, Xujiang North Road, Zhongfang Intelligent Zone, Beibaixiang Town,
Yueqing City, Zhejiang Province, China.

Tel: +86-577-62927688 62929666 62925511

Fax: +86-577-62927699

P.C: 325603

Email: heli@cnheli.com

Hotline  400-826-7555

www.cnheli.com

www.cnheli.en.alibaba.com

From Better to **Great.** 

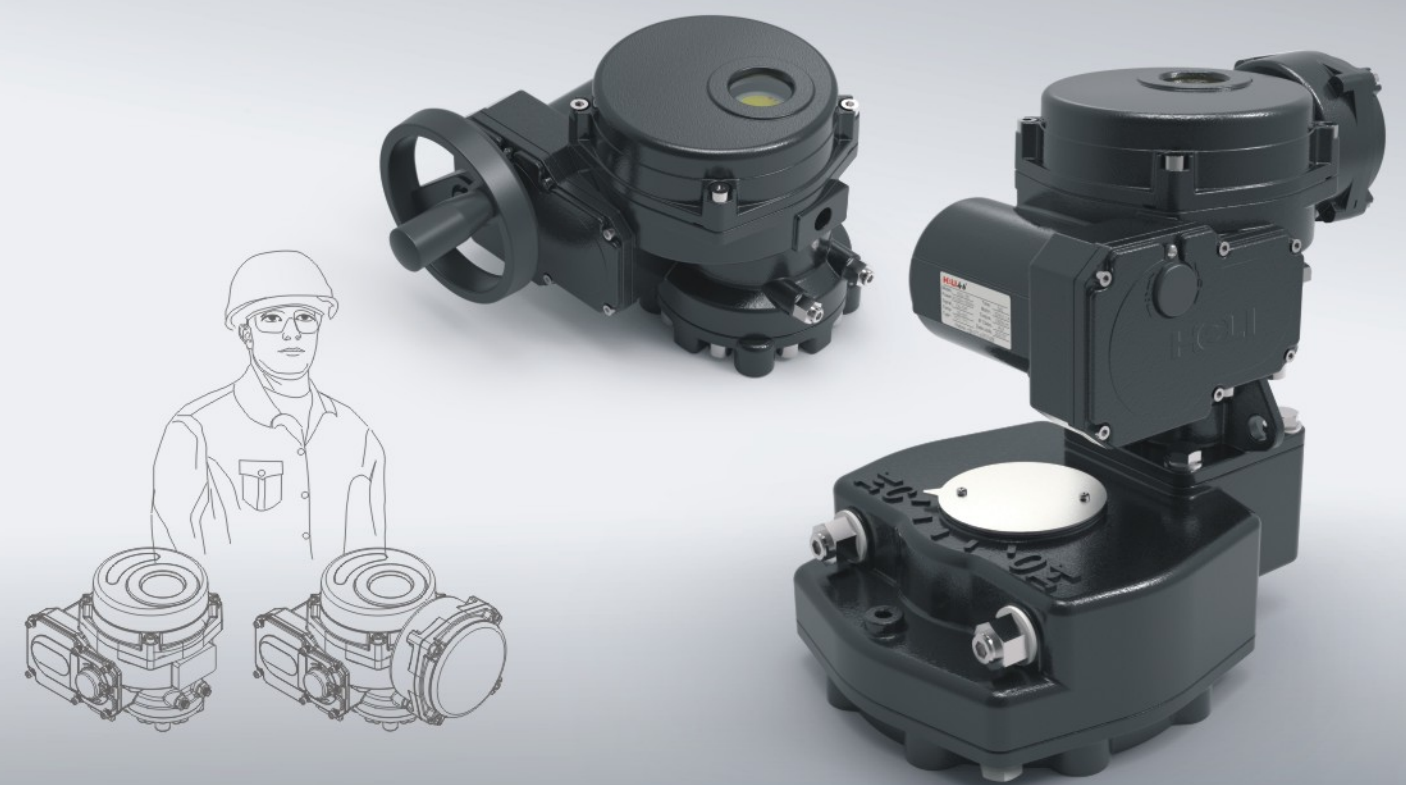
HELI®

HEQ Quarter-Turn Electric Actuator

www.cnheli.com

www.cnheli.en.alibaba.com

Valve & Actuator Solutions



Company Profile

Wenzhou Heli Automatic Meter Co.,Ltd has more than 100 employees,including engineers and technicians accounting for 25%, owning 26 new utility patents and 2 invention patents,having the ISO9001:2015,CE,ROHS,IP67,IP68,SIL,EX certificates.

- 1999,founded the company and researched the HL series electric actuator.
- 2000,launched the HL series quarter-turn electric actuator as the first company in electric actuator industry in Wenzhou city.
- 2003,got the export lisenze with a series of certificates.
- 2004,exported the electric actuator to europe.
- 2008,launched the HLF series damper actuator for HVAC.
- 2009,launched the HAT series quarter-turn pneumatic actuator.
- 2010,launched the LQ series quarter-turn electric actuator with explosion proof.
- 2013,sold out 40000 pieces actuators.
- 2014,launched the new design HEQ series electric actuator with a international company.
- 2016,launched the HEM series for multi-turn electric actuator.
- 2018,sold out 95000 picese electric actuators.
- 2019, reached 15 million dollars of company's sales.
- 2020,built the new factory covering an area of 24000 square meters with developed production lines and facilities,



Company Culture



CONTENTS

• HEQ-Summary	-----	01
• HEQ-Advantages	-----	02
• HEQ ON-OFF-Modulating Dimension	-----	03
• Wiring Drawing	-----	05
• HEQ - Technical Specification	-----	06
• HEQ-Selection	-----	07



HEQ – Summary

HEQ series combines advanced technologies from Germany and Japan to provide a modular design to suit valves such as butterfly valves, ball valves, gate valves, etc.

Options available



Flat Indicator



Dome Indicator(as option)



Handwheel Operation(as option)

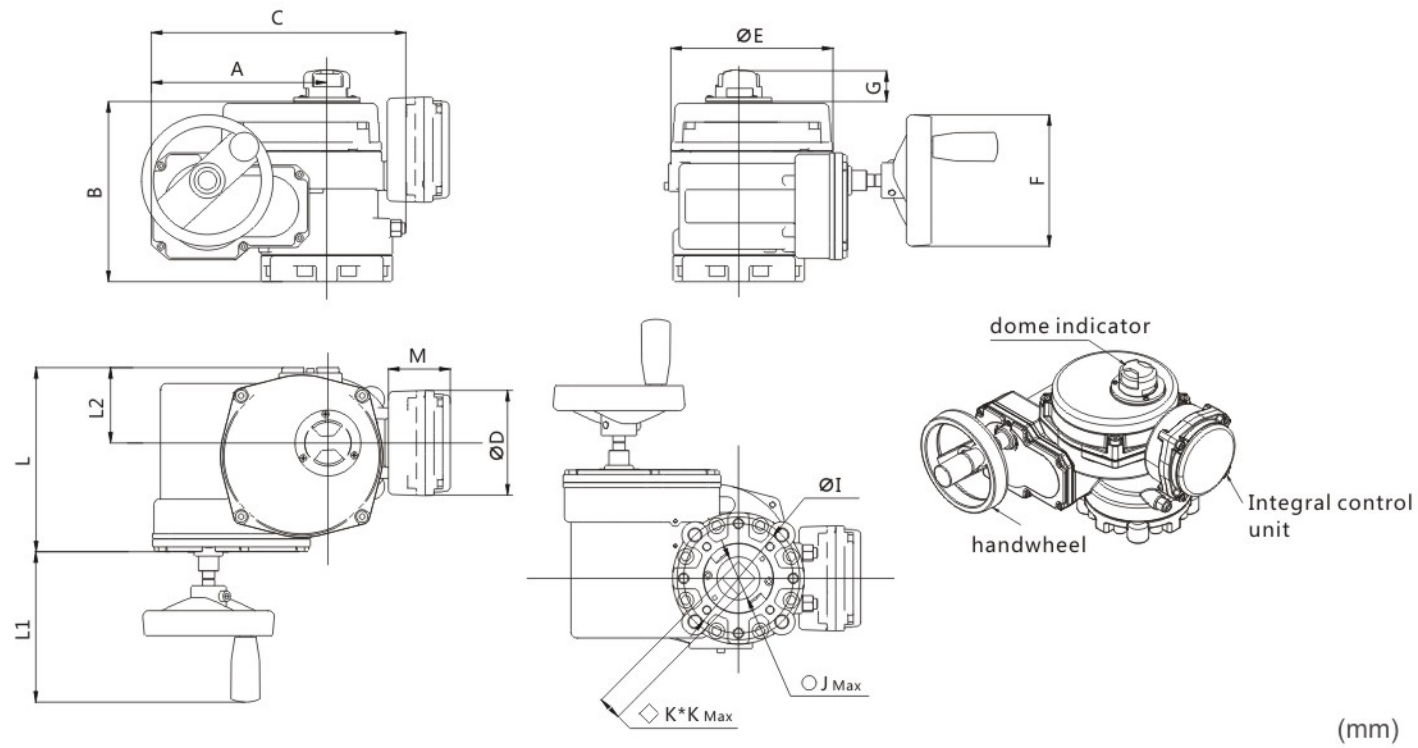


Hand Lever Operation

HEQ-Advantages

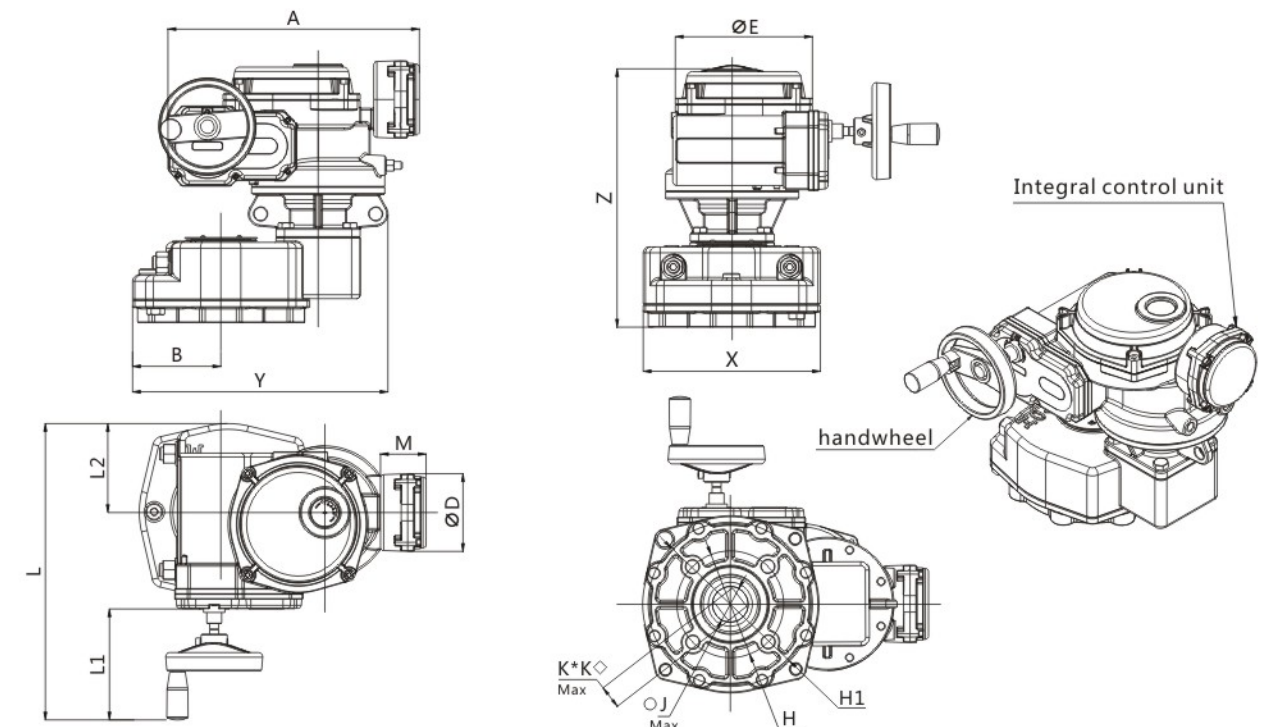
- 1.Compact structure for a narrow space to install and suit a wide range of valves.
- 2.Efficient transmission design with structural self-locking.
- 3.The unique adjusting cam makes it easier to adjust the valve position.
- 4.Double anti-condensation design, the probability of electrical failure is lower.
- 5.Modular design, easy to operate in production and maintenance.
- 6.High enclosure protection IP67,IP68 as option
- 7.High explosion-proof enclosure protection up to Exd II Ct6.
- 8.Independent electrical compartment design and powerful pre-protection circuit.
- 9.Control accuracy up to 1%.

HEQ ON-OFF-Modulating Dimension



Item	A	B	C	D	E	F	G	L	L1	L2	M	I	◇K*K	○J _{Max}	◇K _{Max}	Stem depth
HEQ1-05													M11 M14	≤ Ø16	≤ ◇17	31
HEQ1-08	112	146	166	120	112	100	35	138	98	66	70	F05/F07				
HEQ1-10													M14 M17	≤ Ø16	≤ ◇17	31
HEQ2-15	131	158	182	120	130	100	35	156	93	75	70	F05/F07				
HEQ2-20													M14 M17	≤ Ø16	≤ ◇17	31
HEQ3-25												F07/F10	M14 M17			
HEQ3-40	171	180	255	120	170	100	35	201	98	82	70	F10/F12	M22 M27	≤ Ø32	≤ ◇27	45
HEQ3-60													M22 M27			
HEQ4-80												F12	M27	≤ Ø45	≤ ◇36	45
HEQ4-100	200	205	230	120	185	150	35	214	141	86	70	F10/F14	M36			
HEQ4-120													M36			
HEQ5-200																
HEQ5-250	232	231	360	120	212	150	35	250	141	100	70	F14orF16	M36	≤ Ø52	≤ ◇36	74
HEQ5-300																

HEQ ON-OFF-Modulating Dimension



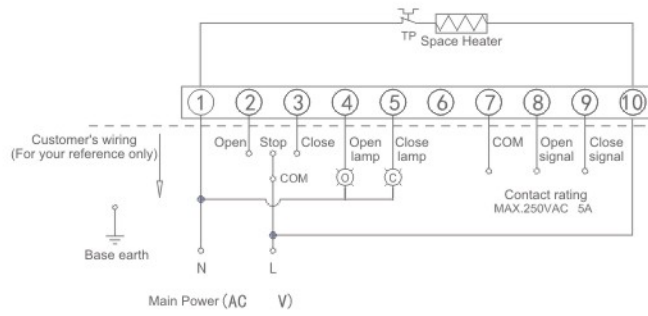
Item	A	B	C	D	E	H/H1	K*K(Max)		J(Max)	X	Y	Z	L	L1	L2	M	Stem depth
							S	A									
HEQ400	339	175	180	214	185	F14/F16/F25	50*50	35*35	φ60	274	365	395	355	141	137	70	120
HEQ600	388	189	198	249	212	F14/F16/F25	50*50	35*35	φ60	274	392	405	391	141	137	70	120
HEQ800	388	189	198	249	212	F14/F16/F25	50*50	35*35	φ60	274	392	405	391	141	137	70	120

Note: The modulating type should be equipped with integral control unit except for on-off type

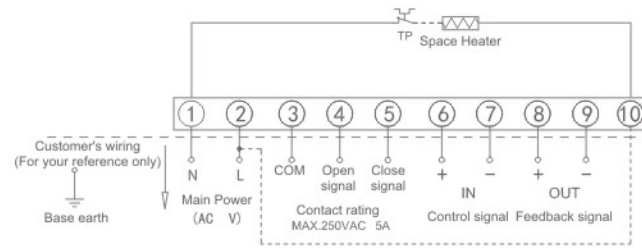


Wiring Drawing

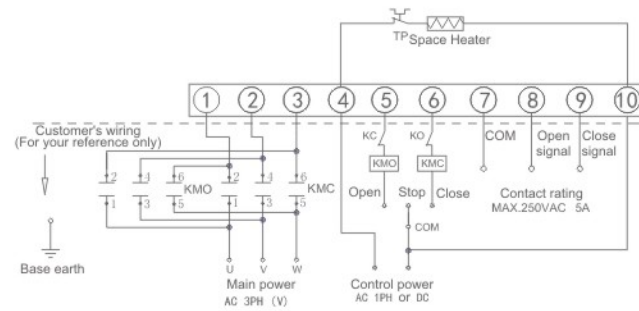
- B1K4 item: ON-OFF type(1PH)



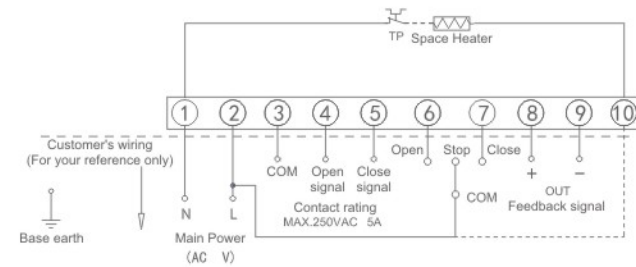
- B2K9 (B2K8) item: Modulating type(1PH)



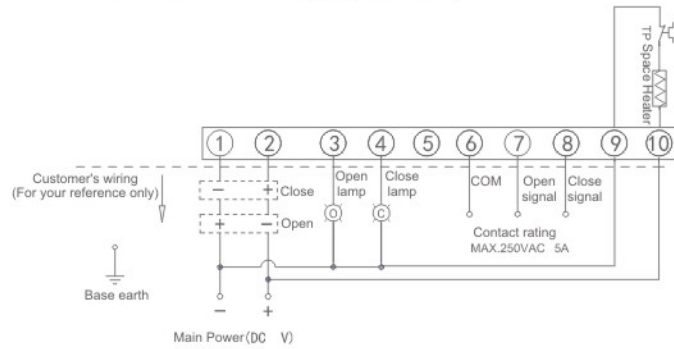
- B1K2 item: ON-OFF type(3PH)



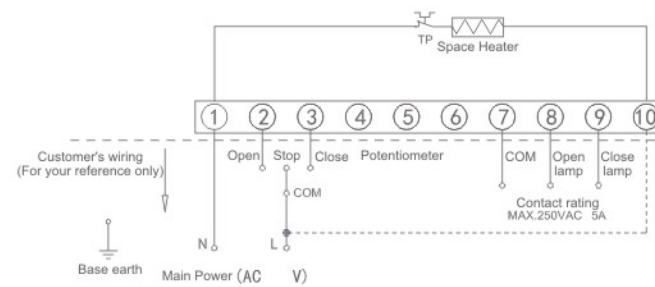
- B1K9 item: R/I converter(1PH)



- B1K4 item: ON-OFF type(DC motor)



- B1K5 item: with potentiometer(1PH)



HEQ - Technical Specification

Actuator Series	HEQ series electric actuator
Torque	50~3000N.m (without gearbox) ; 3000~8000N.m (with gearbox)
Enclosure protection	IP67 as standard, IP68 as option(15m under water without leakage for 72hours)
Explosion proof	ExdIICT6
Working time	ON-OFF: S2:120Min Modulating: S4:30~50%,1200 start/Hour
Voltage	AC110V, AC220V±10% 1 Phase ; 50/60Hz±5%, as option AC/DC 24V, AC380V
Ambient temperature	-25°C~+70°C
Ambient humidity	90% (25°C)
Motor	F class,thermal protection
Mounting base	ISO5211 standard with star bushing
Modulating configuration	Provide signal loss mode, 4mA and 20mA position calibrate
Manual operation	With handle lever
Position indicator	Mechanical arrow (Dome indicator as option)
Input signal	ON-OFF control : Lamp signal and dry contact signal Modulating control : 4-20mA as standard (Inout impedance : 150Ω). 0-10V,2-10V;(Multiple signals appearance) Optical isolation
Output signal	ON-OFF control : Lamp signal + dry contact signal Modulating control : 4-20mA as standard (Output impedance:750Ω). 0-10V,2-10V;(Multiple signals appearance) Optical isolation
Cable entries	Standard : 2-M20×1.5 , possible to customize
Space heater	As standard (25W~30W)
Color	RAL:9004(Black) , Epoxy polyester powder coating
Control accuracy	Higher accuracy can be customized

HEQ-Selection

Item	Output torque (N.m)	Working time (S)	Motor consumption (W)	Rated current (A)				Weight (Kg)		
				AC380V	AC220V	AC110V	DC24V			
HEQ1	-05	50	20	12	0.11A	0.25A	0.47A	1.5A	12S	4
	-08	70	30	12	0.11A	0.25A	0.47A	1.5A	18S	4
	-10	100	30	15	0.13A	0.31A	0.58A	1.87A	18S	4
HEQ2	-15	150	40	25	0.13A	0.32A	0.55A	2.1A	22S	5
	-20	200	40	30	0.17A	0.41A	0.71A	2.7A	22S	5
HEQ3	-25	250	30	40	0.12A	0.38A	0.72A	4.0A	18S	7
	-40	400	30	60	0.25A	0.5A	1.0A	6.8A	18S	8
	-60	600	30	90	0.3A	0.75A	1.5A	9.5A	18S	9
HEQ4	-80	800	35	90	0.38A	0.75A	1.5A	9.5A	20S	18
	-100	1000	54	90	0.38A	0.75A	1.5A	9.5A	30S	19
	-120	1200	54	120	0.55A	1.1A	2.3A	12.2A	30S	19.5
HEQ5	-150	1500	30	200	0.9A	1.9A	3.9A	13A	35S	28
	-200	2000	40	200	0.9A	1.9A	3.9A	18A	35S	28
	-250	2500	50	200	0.9A	1.9A	3.9A	23A	35S	28
HEQ4JS	-300	3000	60	200	0.9A	1.9A	3.9A	30A	35S	28
	-400	4000	216	90	0.38A	0.75A	1.5A	9.5A	120S	52
HEQ5JS	-600	6000	120	200	0.9A	1.9A	3.9A	13A	120S	62
	-800	8000	160	200	0.9A	1.9A	3.9A	18A	120S	62

Note: 1.Above table is the factory standard configuration of the product.

2. The rated torque will be 0.75 times the maximum torque.

3. Above working time is for 50HZ, the working time of 60HZ will be 5 to 6 times of 50HZ. The maximum torque is the same as above.

4.Please contact our sales staff to customize the sizes according to the valve stem.

8844.43m



HL series quarter-turn electric actuator

Smart appearance, light weight, Easy to install, economical and durable.



ZX series small electric actuator

Torque: 9N.m~24N.m
Explosion proof, Weather proof



LQ series quarter-turn electric actuator

Overtorque protection, explosion proof as option, Intelligent control to meet more industrial application.



HLF series damper electric actuator

Suitable for heating, ventilation, air conditioning, refrigeration, building automation etc.



HEM series multi-turn electric actuator

LCD display, Local/remote control operation selector, suitable for big size butterfly valves, ball valves, globe valves, Gate valves etc.



HAT series rack and pinion pneumatic actuator

Maximum torque: 9340Nm



HEQ series electric actuator

New optimized design, high enclosure protection, low noise, Double anti-condensation, independent control unit.



Electric valves series

Butterfly valves, ball valves, gate valves, regulating valves, etc. with different pressure class, mounting bases and operation methods.